

## Features:

- **New connection design**

The new key way coupler provides exceptional strength. It's simplicity allows you to make quick connections for greater drilling efficiency.

- **Water well installation**

With the variety of sizes & available bits for the different soil conditions, the hollowstem is an efficient way for installation of groundwater wells up to four inches in diameter.

- **Penetrate deeper depths**

For those situations where you encounter extremely difficult and rocky soils, AMS' generation three hollowstem augers will penetrate through even the most challenging soil conditions.

- **Minimize cross contamination**

The hollowstem auger can function as the casing in a variety of sample or injection methods. It will prevent caving soils from entering the borehole minimizing the chance of cross contamination.

- **Unique inner hex**

Keep the internal extensions and bit from being overtightened as well as eliminating the chances of losing the internal string should you encounter a void in the soil.

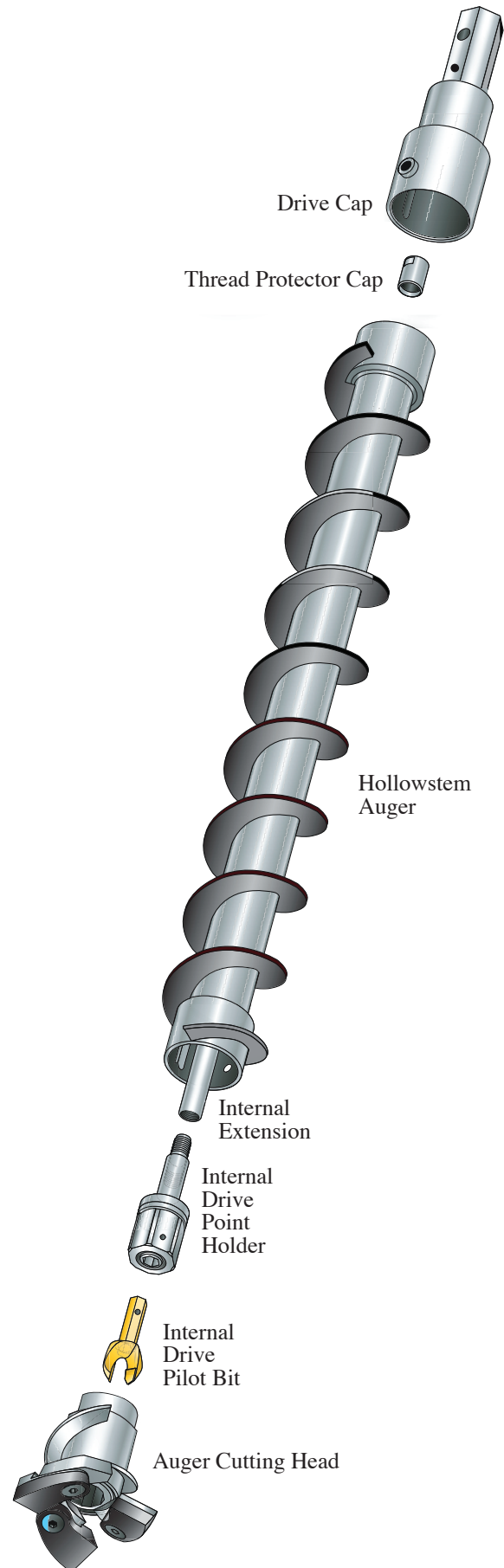


**For More Information, Call:**

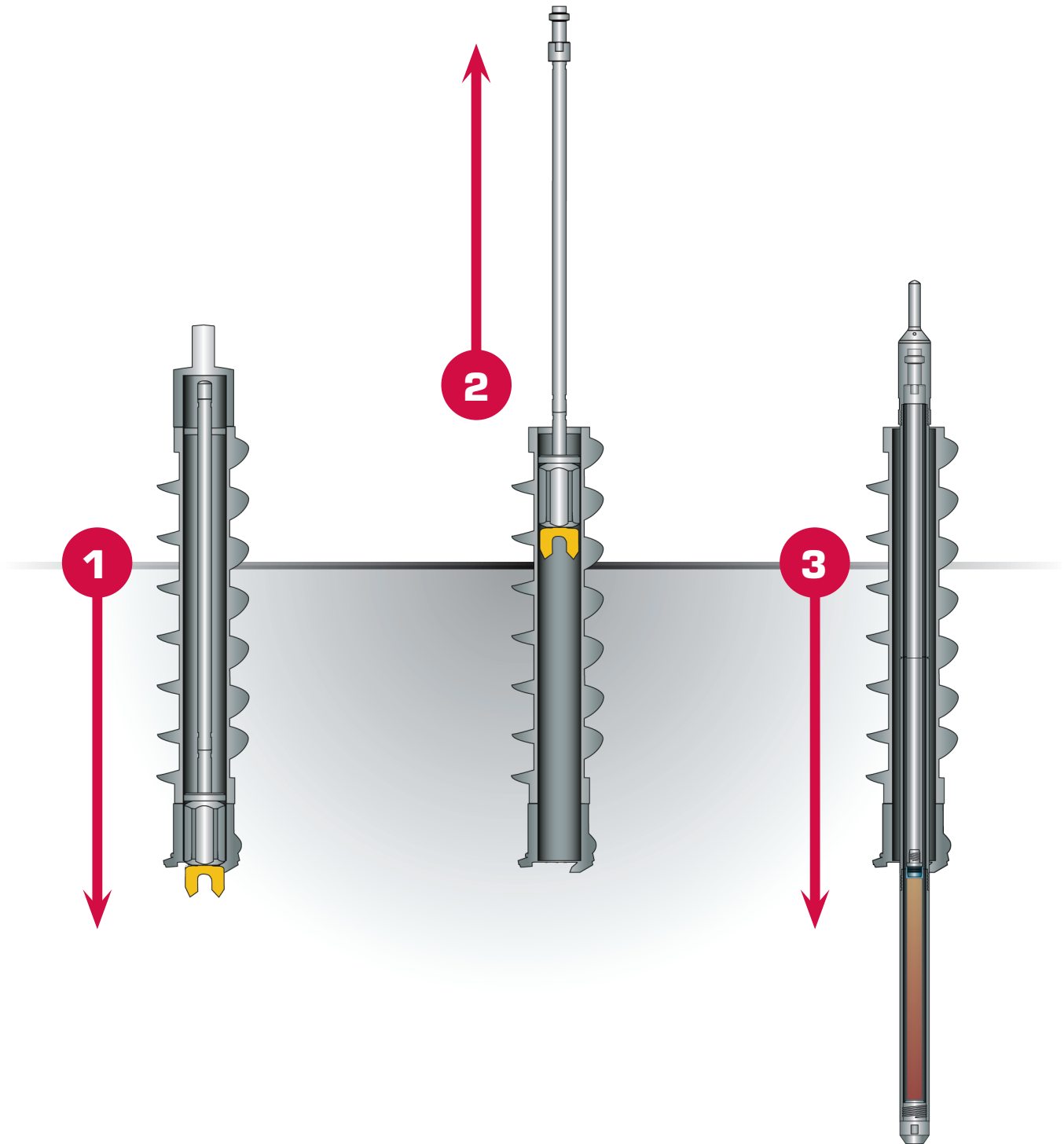
**1-800-635-7330**

**Online at:**

**[www.ams-samplers.com](http://www.ams-samplers.com)**



# AMS | **PowerProbe™** G3 Hollowstem Auger



## Features:

- 1** Drill the generation three hollowstem auger to the desired depth where sampling is to begin by adding augers and center components.
- 2** Remove drive head and remove the inner extension and pilot bit.

- 3** At this point sampling can be conducted using telescopic sampling techniques or other sampling procedures with direct push tooling. If below groundwater, monitoring wells can be installed after sampling has been completed.

For a complete list of PowerProbe tooling, part numbers and pricing, call the AMS Technical Sales Department at **1-800-635-7330** or see our line of sampling equipment at [www.ams-samplers.com](http://www.ams-samplers.com)