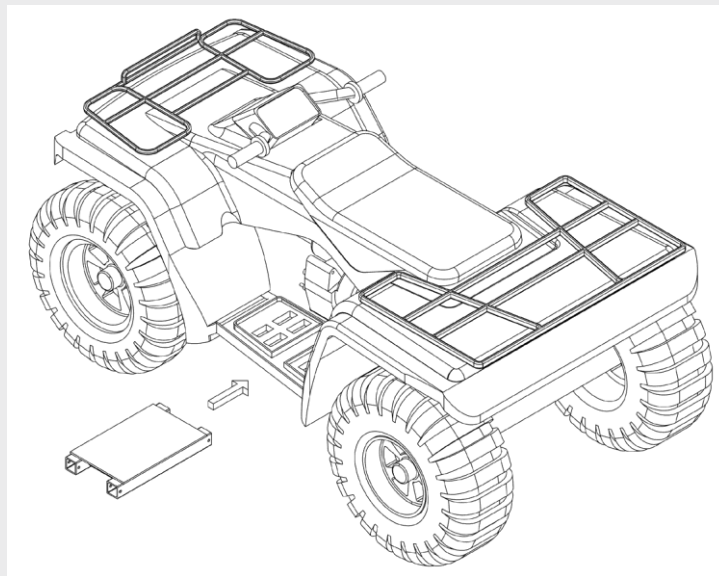


Auto-Field Sampler (AFS) ATV & UTV Mounting Instructions

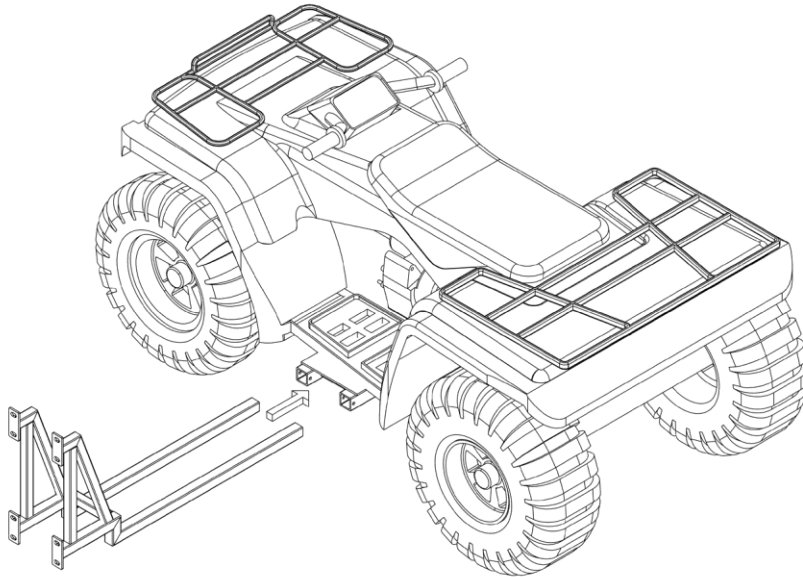
When mounting the AFS to an ATV or UTV, it is recommended to mount it within arms length of the operator. By doing so, this will provide a visual inspection during sampling along with easy access to the collection container.

It is also recommended to mount the AFS as close as possible to the ATV or UTV side. This will reduce the carrier vehicle from sagging on the AFS mounted side.

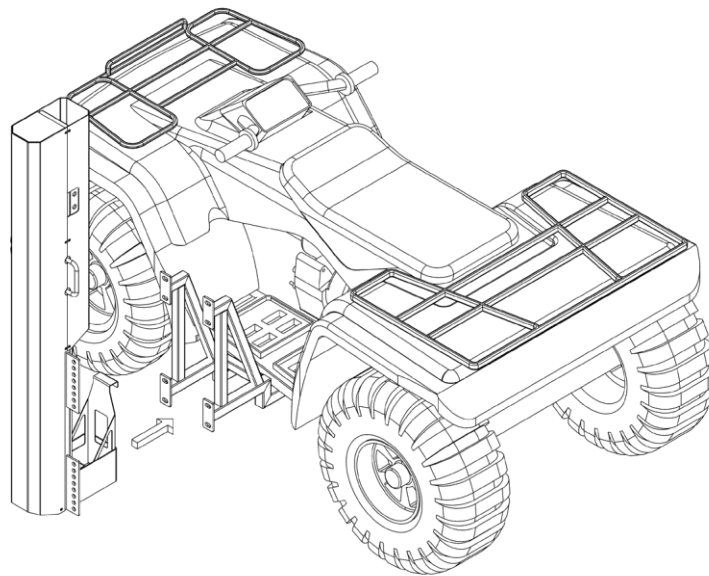
- Position the AFS mast and mounting frame to the desired mounting position relative to the carrier vehicle.
- Position the universal mount on the underside of the carrier vehicle to accommodate the desired mounting position of the AFS mast and mounting frame. Once the desired mounting position is noted, move the AFS mast and mounting frame out of the work area and secure the universal mount to the carrier vehicle.
- When securing the universal mount, it is recommended to secure the universal mount to the structural frame of the carrier vehicle.



- The operator is responsible for drilling holes and or welding what is needed on the universal mount to be securely fastened to the carrier vehicle.
- When mounting the universal mount, use 3/8" diameter bolts or larger to secure the universal mount to the carrier vehicle's frame.
- Once the universal mount is securely mounted to the carrier vehicle, the mounting frame can be slid into the universal mount tubes.

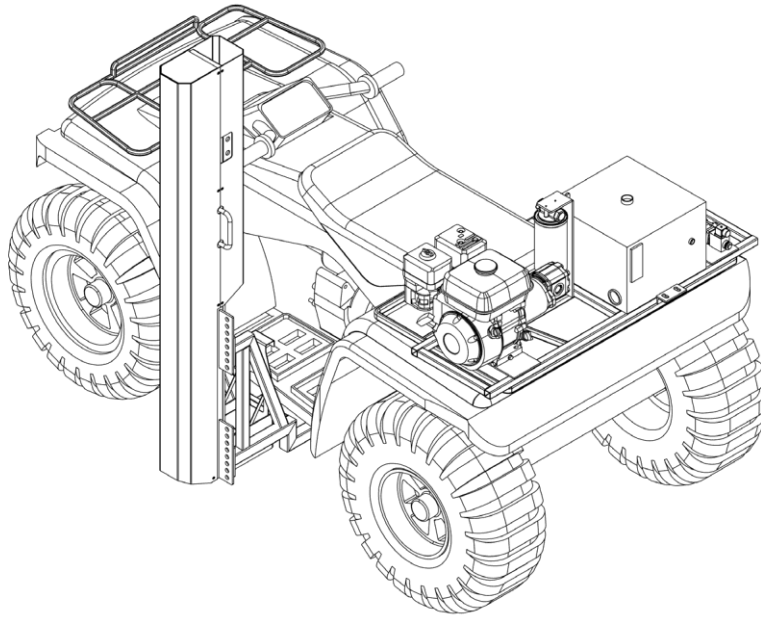


- Once the mounting frame is in the desired location, four holes will need to be drilled through the mounting frame tubes. Holes on the universal mount are predrilled and can be used as a guide. All four holes on the universal mount are sized to use 3/8" diameter bolts.
- Once the mounting frame is secured, the AFS mast can be secured using the flanged bolt holes on the mounting frame and mast.



- The mast has multiple holes in the flange for the operator to adjust to the desired height. The recommended height from the ground surface to the bottom of the mast is 152mm. If the mast is mounted higher or lower than 152mm, a full 300mm sample will not be collected. Eight bolting holes are provided on the mast mounting flanges, but only four 1/2" diameter bolts are needed to secure the mast to the mounting frame. Two bolts in the top flange and two bolts in the bottom flange.

- The power unit will need to be mounted on the back or in the bed of the carrier vehicle. The operator is responsible for securely fastening the power unit to the carrier vehicle.



- The operator will need to connect the hydraulic hoses from the power unit to the mast.

