

Single Tube Sampling

Single tube sampling is the fastest way to obtain soil samples at shallow depths.

Sampling will begin from the surface and continue through the same hole for subsequent samples, providing caving or swelling does not occur and there are no concerns about cross contamination.

Single tube samplers may also be used telescopically through larger direct push systems or through the ID of a hollowstem auger. They may also be used in prebored holes prepared with a hand auger. Our heavy duty tooling is helpful in tighter lithology and for obtaining greater depths.

Features

- Quickly take shallow soil samples in non-heaving, non-caving material, up to 10' below ground surface in depth.
- Great for telescopic sampling techniques.
- Ability to handle high pressure, in comparison to conventional spit-spoon methods.
- Use the same borehole for continuous and interval specific sampling.
- Variety of sampler sizes and options available.
- Core catcher tip available.

Single Tube Sampling Application:

The AMS single tube system is used to collect soil samples easily and efficiently at shallow depths.

- Direct push the single tube sampler from the surface. (Figure 1)
- Remove the sampler and retrieve the sample. (Figure 2)
- Put a decontaminated sampler with new liner into the borehole. (Figure 3)
- Add inner extensions and direct push to the next sampling interval. (Figure 4)
- Remove the sampler and retrieve the sample. (Figure 5)

The steps shown in Figures 4 and 5 can be repeated to maximum depth desired or as long as the borehole stays open. (i.e. no caving or extreme swelling)

If pre-boring is necessary or required, begin sampling at the bottom of the pre-boring.

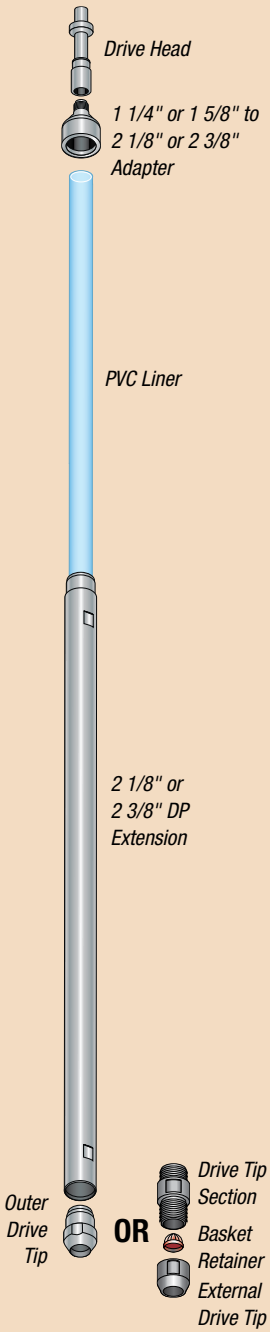
For sample retrieval, change the drive head adapter for a pull cap.

Adapter Options

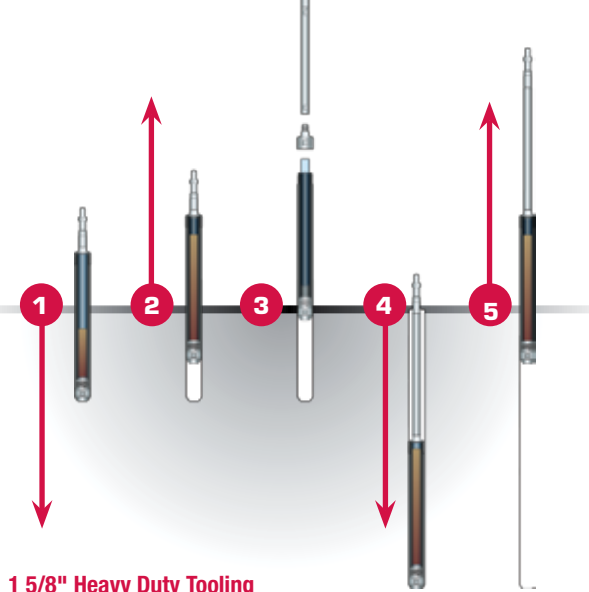
2 1/8" - 1 1/4" Adapter	3 1/2" - 1 1/4" Adapter
2 1/8" - 1 5/8" Adapter	3 1/2" - 1 5/8" Adapter
2 3/8" - 1 1/4" Adapter	3 1/2" - 2 1/8" Adapter
2 3/8" - 1 5/8" Adapter	3 1/2" - 2 3/8" Adapter

NOTE: Pushing with extension of the same diameter will make the sampling process more efficient by:

- Eliminating void that creates wear and tear on tooling.
- Decreasing loss during borehole collapse/cave-in.
- Reducing loss of energy due to flex or bowing of rod.



Single Tube Sampling



1 5/8" Heavy Duty Tooling

5006.92	1 5/8" x 2' DP Extension
5006.94	1 5/8" x 4' DP Extension
5006.85	1 5/8" Drive Head Adapter
5006.86	1 5/8" Pull Cap
5006.87	1 5/8" Solid Screw On Tip
5006.88	1 5/8" Dummy Point Holder
5004.58	50 Mesh Stainless Screen for Tip Holder
5006.89	1 5/8" Dummy Point
5006.90	1 5/8" to 1 3/4" Screen Sampler Adapter
5006.91	1 5/8" to 2 1/8" Adapter
5006.93	1 5/8" to 2 3/8" Adapter
5006.99	O-Ring Kit for 1 5/8" DP Extensions (25)

2 1/8" Single Tube Sampler

5006.04*	2 1/8" x 4' DP Extension
5006.07*	2 1/8" External Drive Tip - Liner
5006.08	2 1/8" External Drive Tip - Catcher/Liner
5006.17	2 1/8" External Drive Tip - Clay/Liner
5006.21*	Adapter 2 1/8" to 1 1/4" Thread
5005.74	1 1/4" x 4' DP Extension
5005.86*	1 1/4" Drive Head Adapter
5005.80*	1 1/4" Pull Cap
5006.425*	1 1/2" x 4' PVC Liner
418.085	1 1/2" Core Catcher Cap
418.08*	1 1/2" Plastic End Cap

* Minimum required for a single 1 1/2" x 4' liner sample.

2 3/8" Single Tube Sampler

5618.193*	G3 2 3/8" x 4' DP Extension
5684.14	G3 2 3/8" PS Drive Tip Section
5684.12	G3 2 3/8" PS External Drive Tip
18171	1 1/2" Basket Retainer (white - soft)
5618.192*	G3 Adapter 2 3/8" to 1 1/4" Thread
5005.74	1 1/4" x 4' DP Extension
5005.86*	1 1/4" Drive Head Adapter
5005.80*	1 1/4" Pull Cap
5006.425*	1 1/2" x 4' PVC Liner
418.085	1 1/2" Core Catcher Cap
418.08*	1 1/2" Plastic End Cap

* Minimum required for a single 1 1/2" x 4' liner sample.

2 3/4" Single Tube Sampler

5010.04*	2 3/4" x 4' DP Extension
5010.11*	2 3/4" External Drive Tip - w/Liner
5010.13	2 3/4" External Drive Tip - Core Catcher
5010.12	2 3/4" External Drive Tip - Clay w/Liner
5010.41*	Adapter 2 3/4" to 1 1/4" Thread
5005.74	1 1/4" x 4' DP Extension
5005.86*	1 1/4" Drive Head Adapter
5005.80*	1 1/4" Pull Cap
5010.48*	2" x 4' PVC Liner
418.105	2" Core Catcher Cap
418.10*	2" Plastic End Cap

* Minimum required for a single 2" x 4' liner sample.

Accessories

5004.59	Stainless Steel #100 Mesh Screen for Expendable Drive Tip Holder
5008.27	1 5/8" Fishing Tool, 1 5/8" Thread
52263	1 5/8" Fishing Tool, 1/4" Thread



105 Harrison Street, American Falls, Idaho 83211 U.S.A.

Order by phone 800.635.7330 intl 208.226.2017 by fax 208.226.7280 online www.ams-samplers.com

©2007 AMS, Inc. All rights reserved.