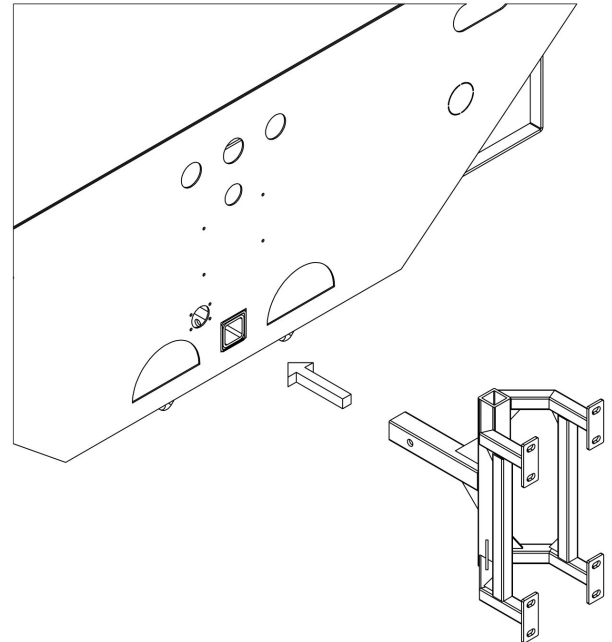
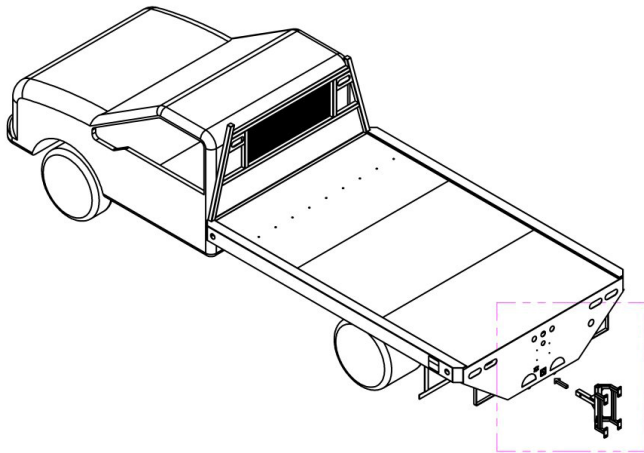
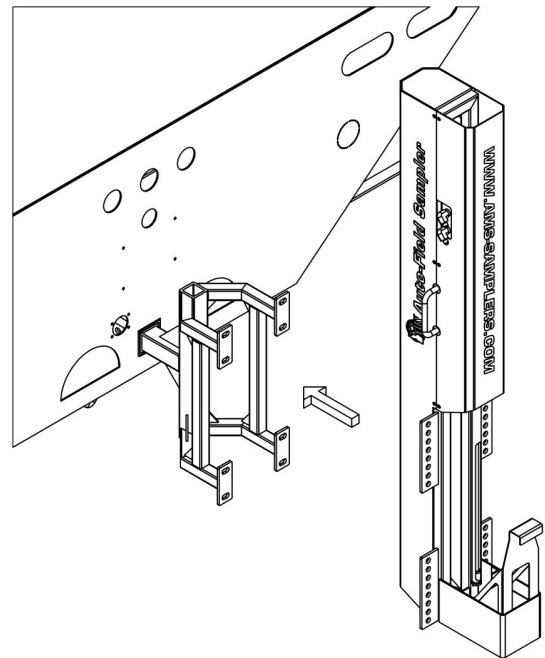
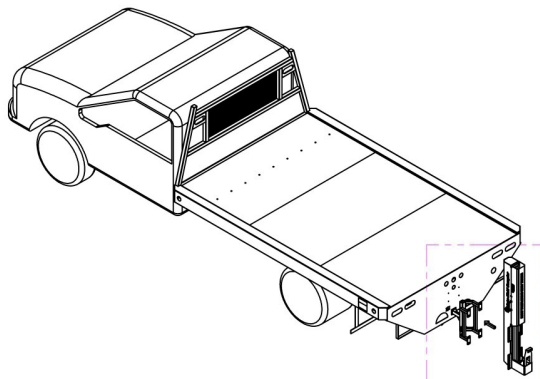


# Auto-Field Sampler (AFS) Truck Mounting Instructions

- Insert the AFS truck mounting frame into the truck's hitch receiver and secure it with a cross pin.



- Once the AFS truck mounting frame is secured, the AFS mast can be secured using the flanged bolt holes on the truck mounting frame and mast.



- The mast has multiple holes in the flange for the operator to adjust to the desired height. The recommended height from the ground surface to the bottom of the mast is 6". If the mast is mounted higher or lower than 6", a full 12" sample will not be collected. Eight bolting holes are provided on the mast mounting flanges, but only four 1/2" diameter bolts are needed to secure the mast to the mounting frame. /two bolts in the top flange and two bolts in the bottom flange.
- The power unit will need to be mounted at a desired location. The operator is responsible for securely fastening the power unit to the truck.
- After the power unit is securely fastened, the operator will need to connect hydraulic hoses from the power unit to the mast.

